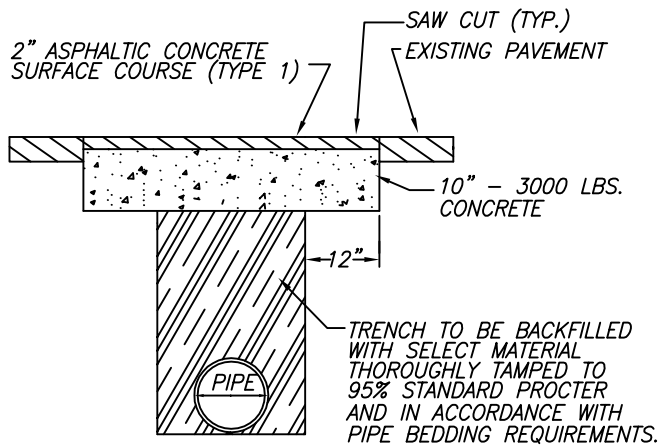
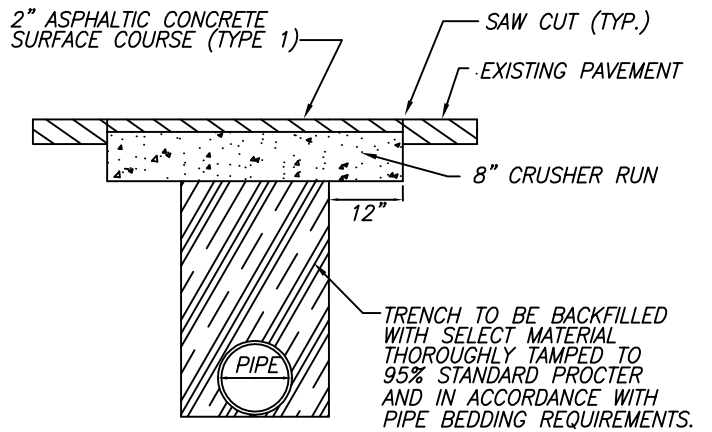


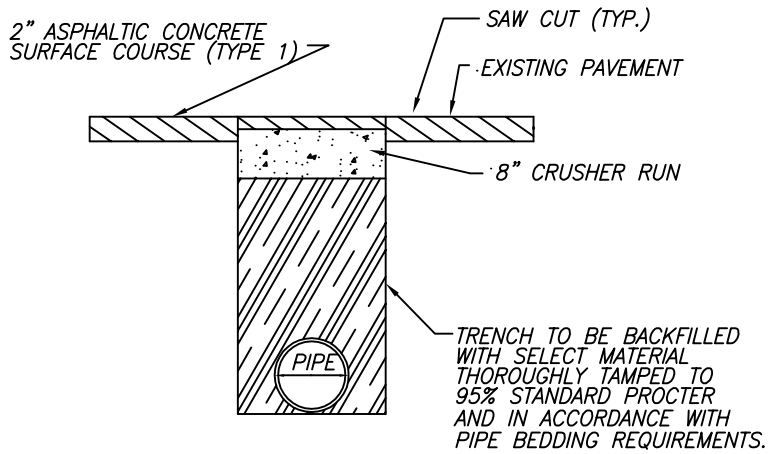
# CONSTRUCTION DETAIL NO. 23



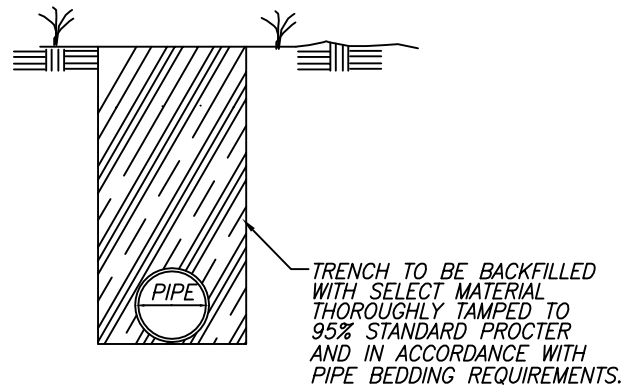
HIGH VOLUME



LOW VOLUME



DRIVEWAYS



TYPICAL TRENCH



## TYPICAL PAVEMENT REPAIR DETAILS