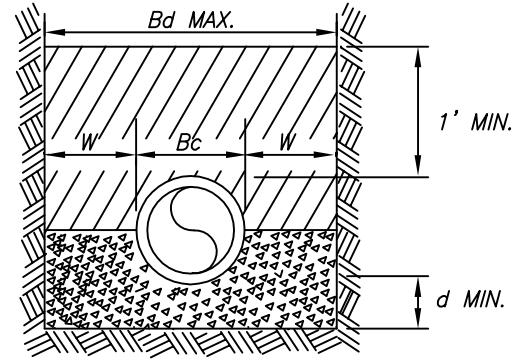


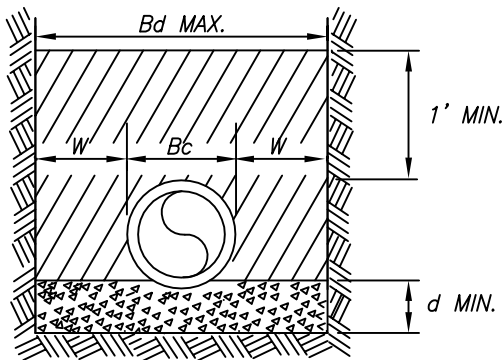
CONSTRUCTION DETAIL NO. 12

NOTES:

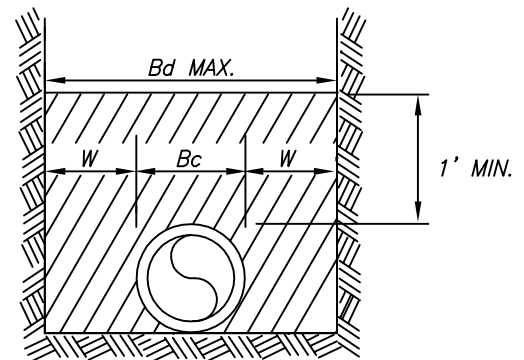
1. DITCH WIDTH NOT TO EXCEED B_d 2' OVER TOP OF THE PIPE.
2. PIPE SIZE 8" TO 30" DESIGN BASED ON (B_d MAX. DITCH WIDTH) NOT USING TRENCH BOX.
3. ALL PVC PIPE TO BE INSTALLED IN CLASS "B" DITCH BEDDING, UNLESS OTHERWISE NOTED.



CLASS "B"



CLASS "C"



CLASS "D"

IMPROVED DITCH BEDDING DIMENSIONS FOR CLASS "B", "C" & "D"				
PIPE SIZE I.D.	B_c OUT DIA.	W MAX. WORK SPACE	B_d MAX. DITCH WIDTH	d DEPTH OF BEDDING UNDER PIPE
8"	10"	8"	2'3"	4"
10"	12"	9"	2'6"	4"
12"	14"	9"	2'9"	4"
15"	18"	10"	3'0"	4"
18"	22"	10"	3'6"	6"
21"	24"	9"	3'6"	6"
24"	27"	10"	4'0"	9"
27"	32"	10"	4'6"	9"
30"	36"	9"	4'6"	9"



IMPROVED
DITCH BEDDING
DETAIL

SCALE: NONE

REVISION DATE: APRIL 13, 2009