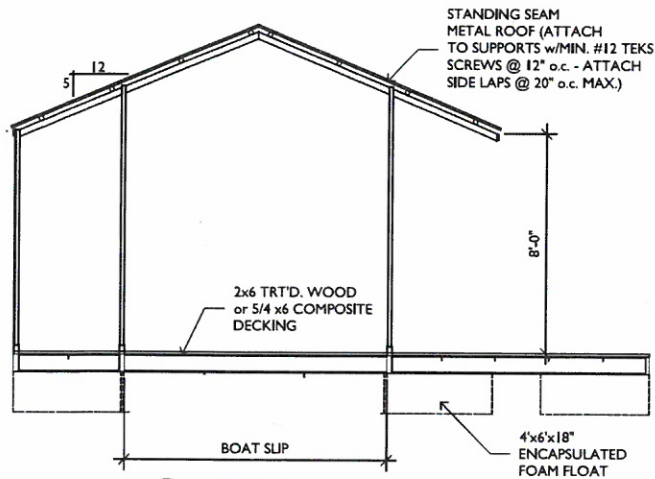


Dock/Walkway Standards Steel Construction

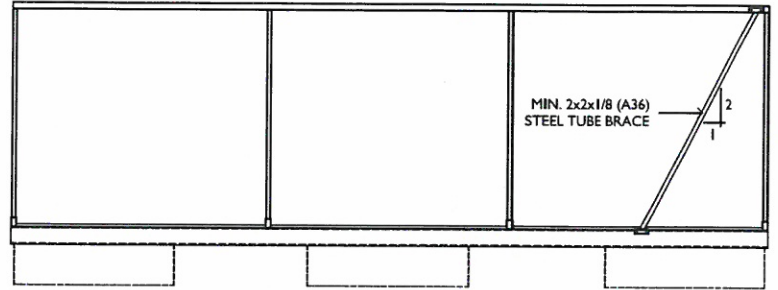
April 4, 2019

THIS DRAWING IS PROPERTY OF SPARTANBURG WATER AND IS NOT TO BE USED OR COPIED BY UNAUTHORIZED PARTIES



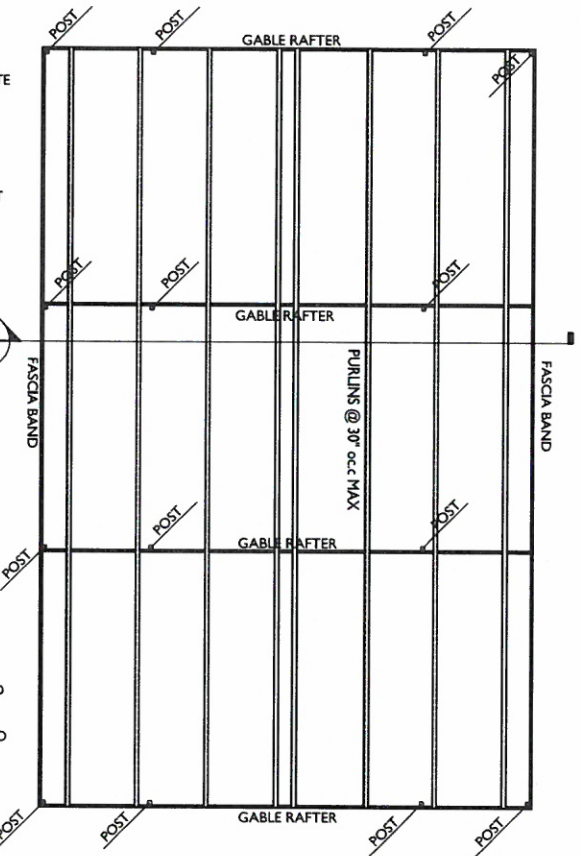
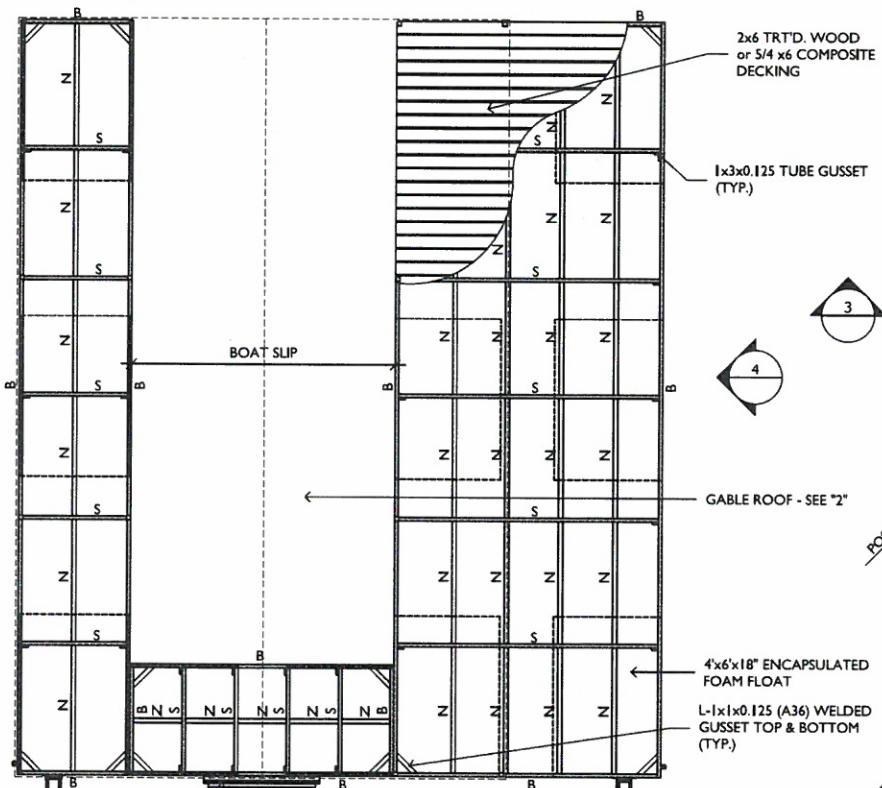
3 Section

do not scale



4 Elevation

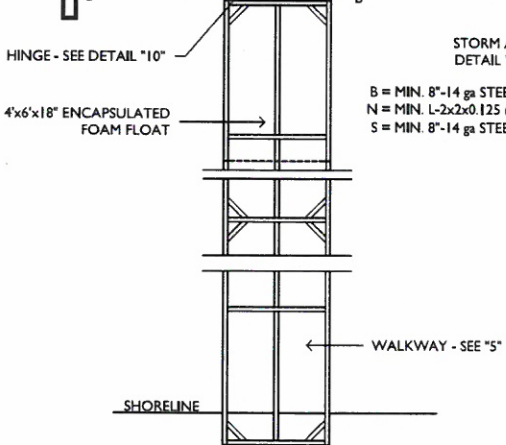
do not scale



ALL POSTS TO BE MIN. 2x2x0.125 TUBE STEEL (ASTM A500, GRADE B)
 ALL PURLINS TO BE MIN. 2x2x0.125 TUBE STEEL (ASTM A500, GRADE B)
 ALL RAFTERS TO BE MIN. 1x3x0.125 TUBE STEEL (ASTM A500, GRADE B)
 ALL FASCIA BANDS TO BE MIN. 1x3x0.125 TUBE STEEL (ASTM A500, GRADE B)

3 Plan - Roof Framing - GABLE ROOF

do not scale



1 Plan - Dock Platform

do not scale

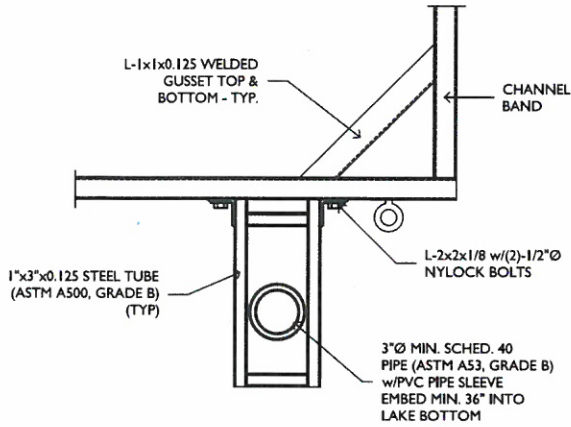
do not scale



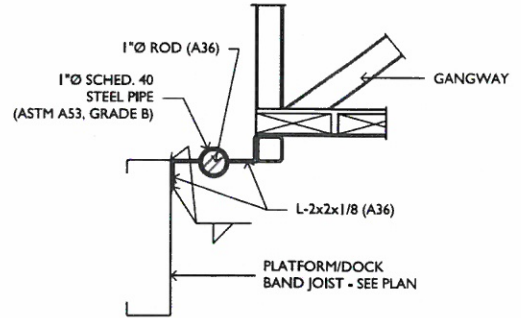
**Dock/Walkway Standards
Steel Construction**

April 4, 2019

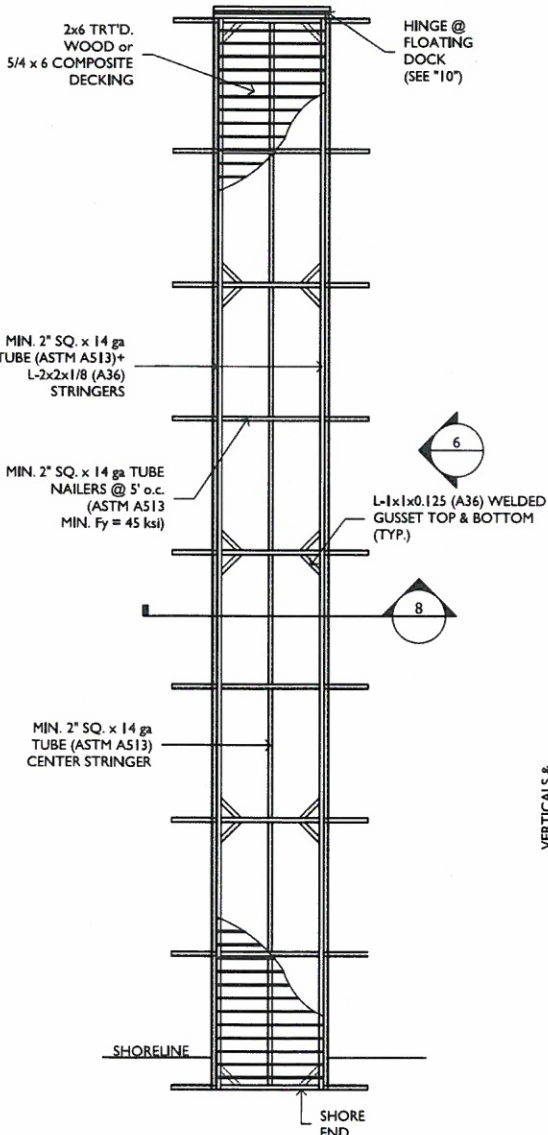
THIS DRAWING IS PROPERTY OF SPARTANBURG WATER AND IS NOT TO BE USED OR COPIED BY UNAUTHORIZED PARTIES



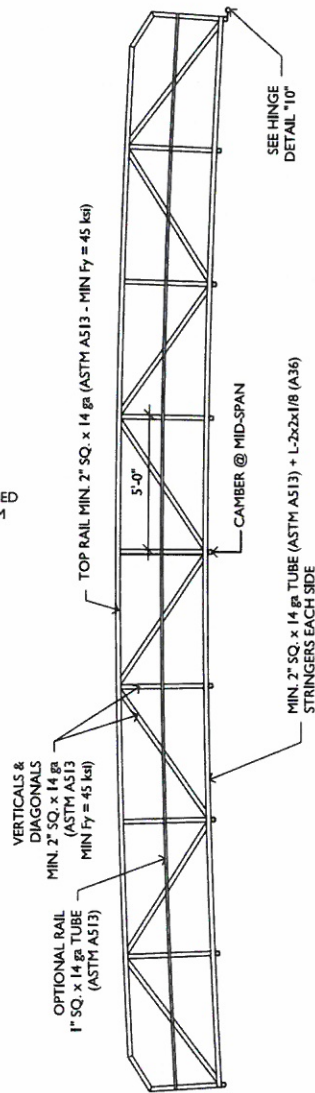
7 Detail - Storm Anchor
do not scale



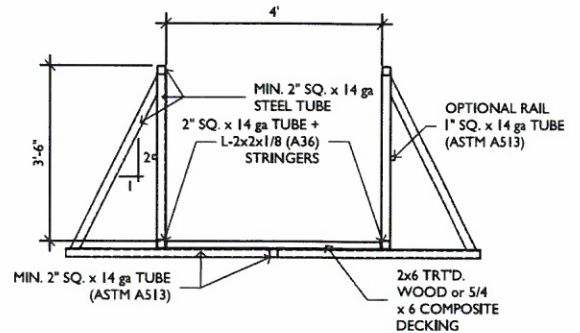
10 Detail - Hinge
do not scale



5 Plan
do not scale



6 Elevation
do not scale



8 Section - Gangway
do not scale

STRUCTURAL DESIGN CRITERIA

CODES

ANSI/ASCE 7-10

DESIGN LOADS:

ROOF

LIVE LOAD = 20 PSF

GANGWAY

LIVE LOAD = 40 PSF

WIND: (PER ANSI/ASCE 7-10)

BASIC DESIGN WIND SPEED, Vult = 115 MPH

EXPOSURE CATEGORY B

RISK CATEGORY I

OPEN BUILDING

9 Structural Basis of Design



**Dock/Walkway Standards
Steel Construction**

April 4, 2019

THIS DRAWING IS PROPERTY OF SPARTANBURG WATER AND IS NOT TO BE USED OR COPIED BY UNAUTHORIZED PARTIES