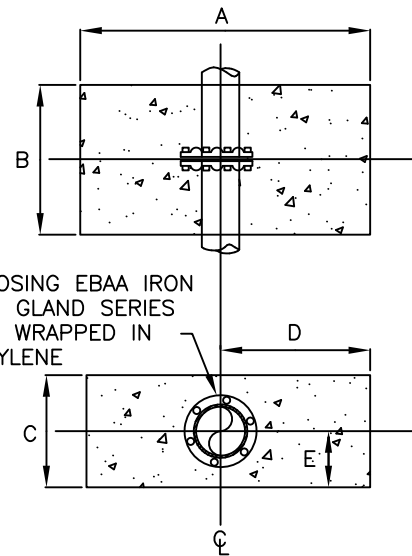


TOP VIEW

FRONT VIEW

DETAIL "A"



(2) OPPOSING EBAA IRON
MEGALUG GLAND SERIES
1100SDB WRAPPED IN
POLYETHYLENE

DETAIL "B"

PIPE SIZE	A	B	C	D	E	CY.	WELDED THRUST COLLAR MINIMUM RATING
4"	3'-0"	2'-0"	1'-6"	1'-6"	0'-8"	0.33	4,500 lbs
6"	4'-0"	2'-0"	1'-6"	2'-0"	0'-9"	0.44	9,300 lbs
8"	4'-6"	2'-0"	2'-0"	2'-3"	1'-0"	0.67	16,000 lbs
12"	6'-0"	2'-0"	3'-0"	3'-0"	1'-6"	1.33	34,000 lbs
16"	6'-6"	2'-0"	4'-6"	3'-3"	2'-3"	2.17	59,000 lbs

NOTE

- 1- DIMENSIONS OF CONCRETE COLLARS BASED ON 2000 P.S.F. SOIL BEARING.
- 2- CONCRETE SHALL HAVE A MINIMUM COMPRESSIVE STRENGTH OF 3,000 P.S.I.
- 3- SOIL CONDITIONS SHALL BE VERIFIED BY SPARTANBURG WATER ENGINEERING DEPARTMENT BEFORE DESIGN IS IMPLEMENTED.
- 4- FOR 3" PIPE, USE 4" DIAMETER THRUST RATING.
- 5- NOT TO BE USED ON CAST IRON.

THE INTENT OF THIS DETAIL IS TO CLARIFY AND NOT SUPERSEDE OR MODIFY THE SPECIFIC REQUIREMENTS AS LISTED IN THE SPECIFICATIONS



TYPICAL DIP
CONCRETE COLLAR
DETAIL

SCALE: NTS REVISION DATE: 11/07/2016