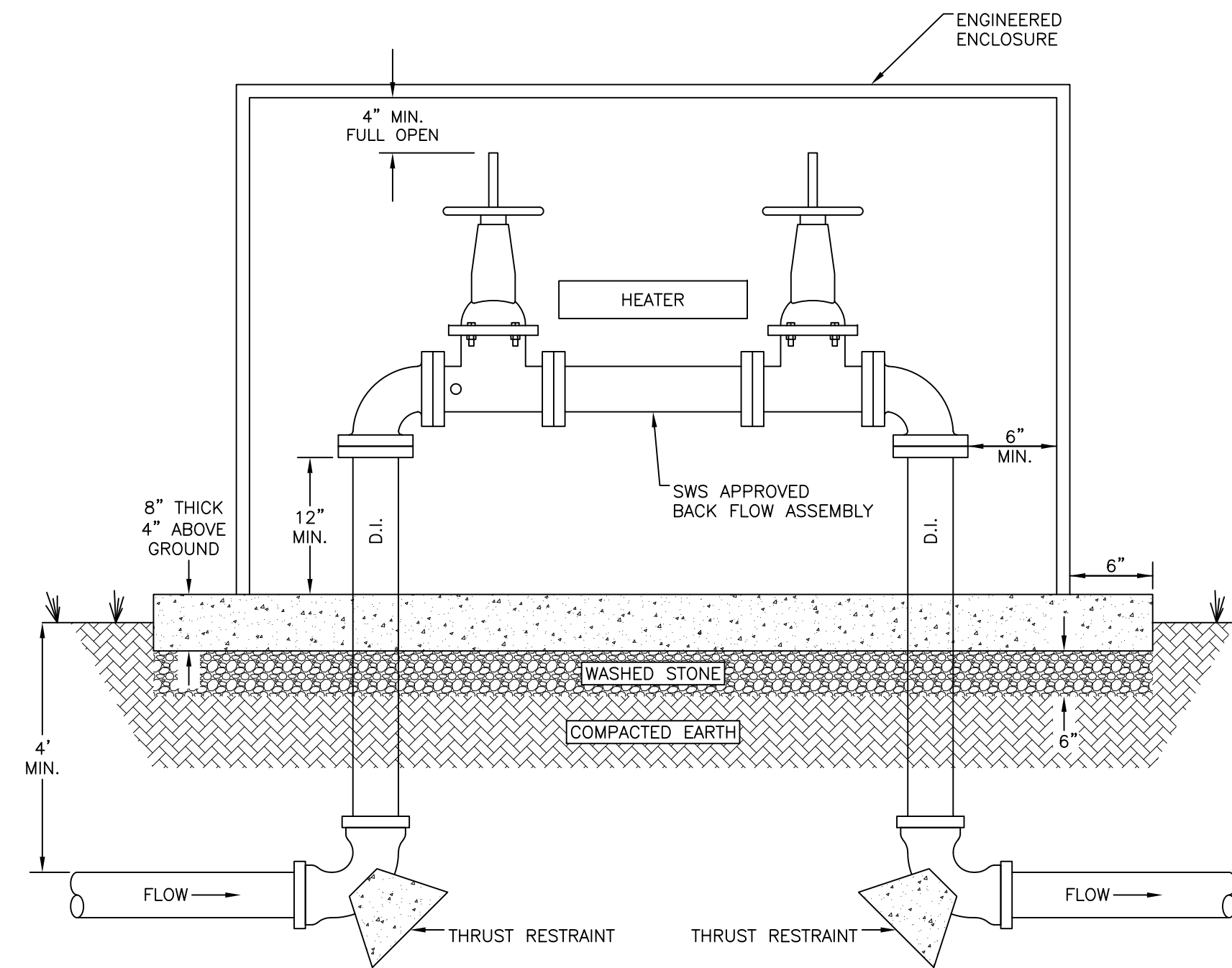


PLAN  
NTS

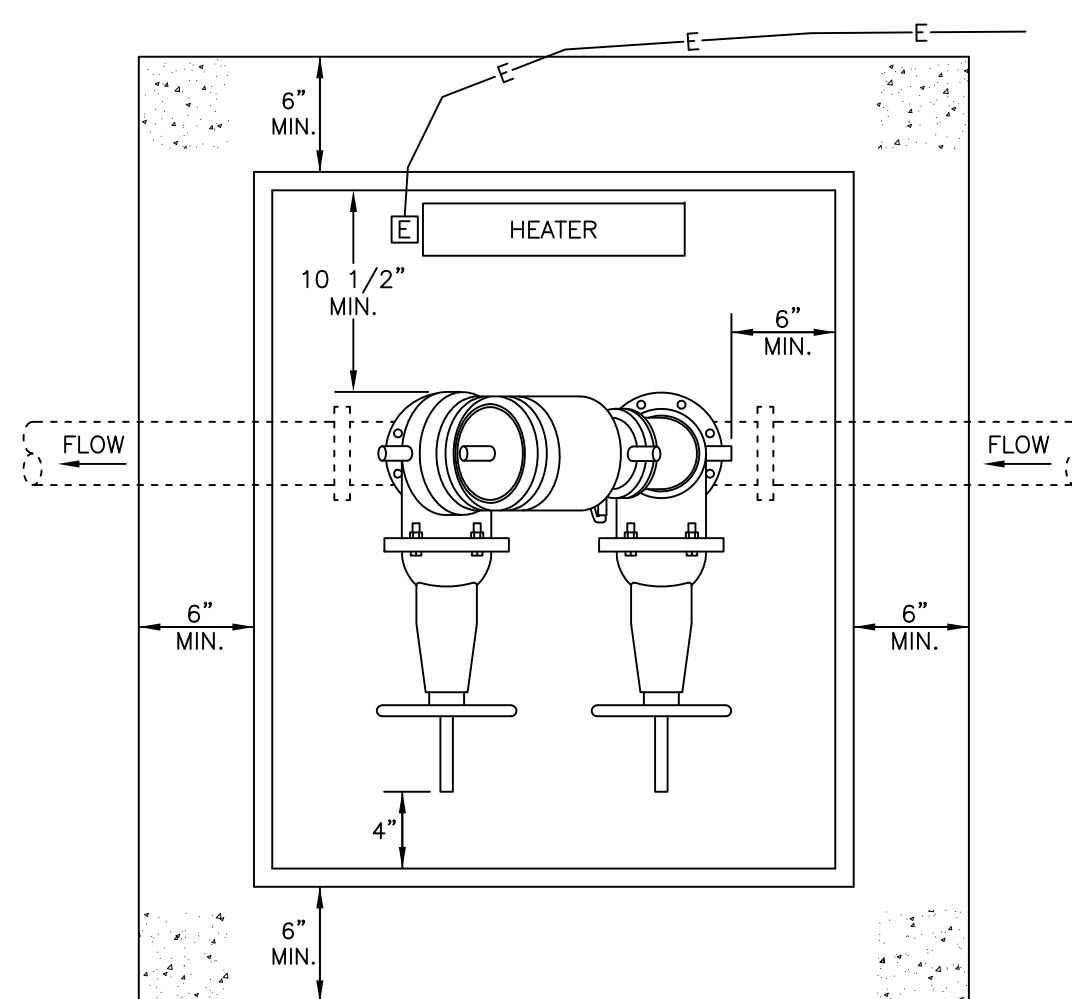


ELEVATION  
NTS

BACKFLOW

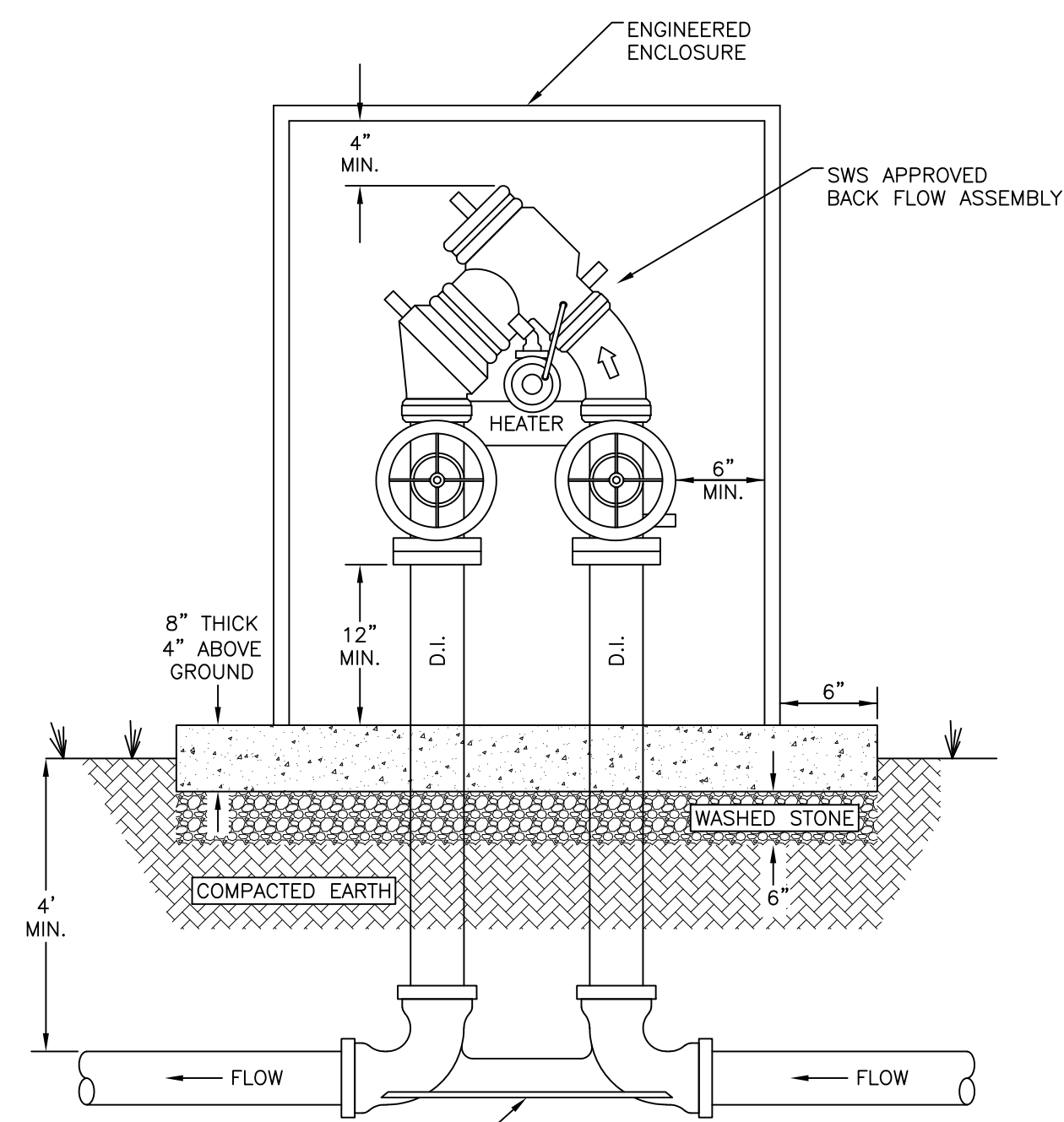
NOTES:

- 1) SHOP DRAWINGS SHALL BE SUBMITTED FOR ENCLOSURE SYSTEM FOR SWS REVIEW & APPROVAL PRIOR TO INSTALLATION.
- 2) ALL DIMENSIONS ARE APPROXIMATE IN INCHES.
- 3) [E] INDICATES THE ELECTRICAL RECEPTACLE. IT SHALL BE MOUNTED A MINIMUM OF 30" ABOVE THE SLAB. "E" INDICATES THE ELECTRICAL CONDUIT.
- 4) HEAT SHALL BE PROVIDED TO PREVENT FREEZING.
- 5) ALL FITTINGS IN BOX TO BE FLANGED, DUCTILE IRON, AND SHALL COMPLY WITH AWA STANDARDS & SWS SPECIFICATIONS.
- 6) CONSTRUCTION SHALL BE COMPLETED IN ACCORDANCE WITH SWS STANDARD SPECIFICATIONS APPLICABLE AT THE TIME OF CONSTRUCTION.
- 7) ELECTRICAL DESIGN PROVIDED BY OTHERS.
- 8) BACKFLOW ASSEMBLY SHALL BE ON SWS APPROVED LIST AND ALL DETECTOR CHECK METERS SHALL REGISTER IN GALLONS AND LOCATED ON OPPOSITE SIDE OF VAULT FROM STEPS.
- 9) FOR RPZ INSTALLATIONS, (2) DRAIN HOLES MUST BE PROVIDED ABOVE GROUND WITH OPENINGS LARGE ENOUGH TO ACCOMMODATE THE FULL DISCHARGE OF THE RELIEF VALVE.
- 10) SERVICE WILL NOT BE TURNED ON UNTIL THE PIT IS ACCEPTED BY THE SWS ENGINEERING DEPARTMENT AND CROSS CONNECTION CONTROL DEPARTMENT.

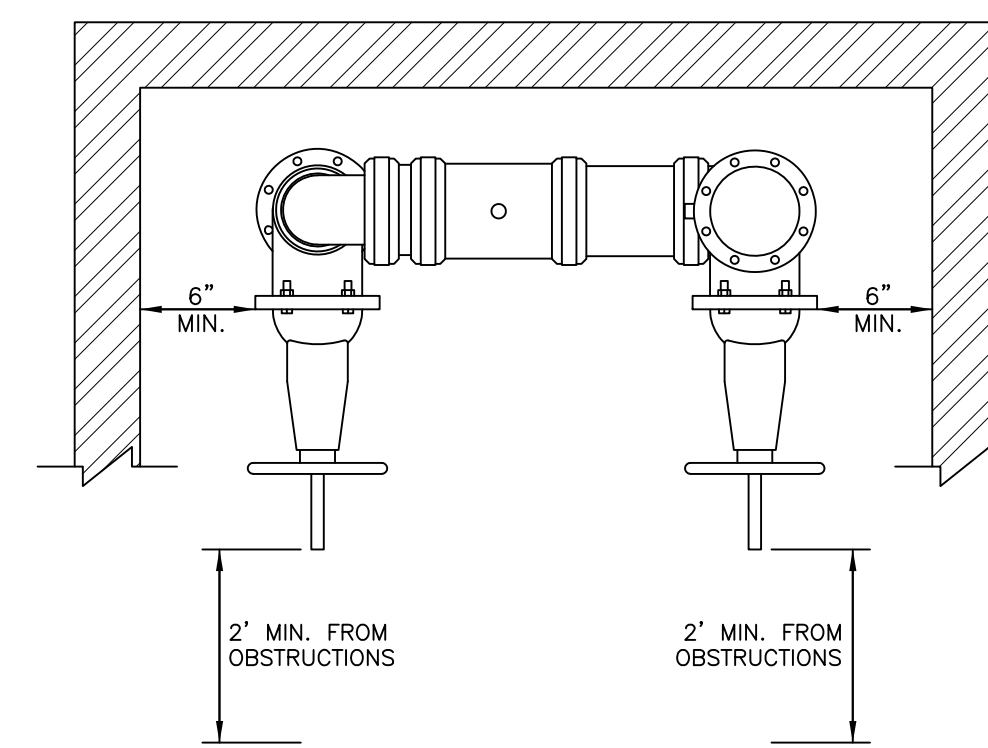


PLAN  
NTS

N SHAPE BACKFLOW

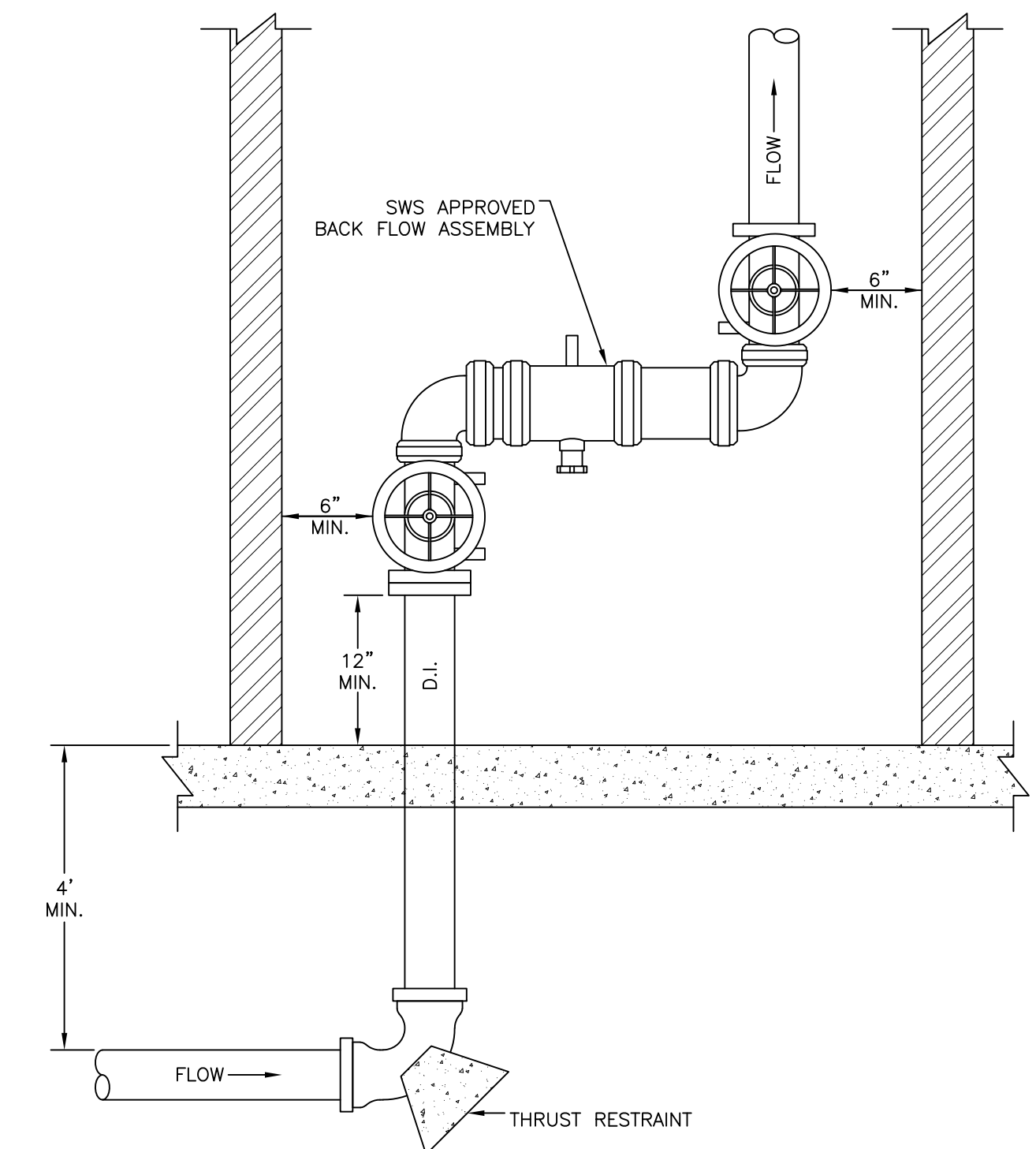


ELEVATION  
NTS



PLAN  
NTS

Z SHAPE BACKFLOW



ELEVATION  
NTS

