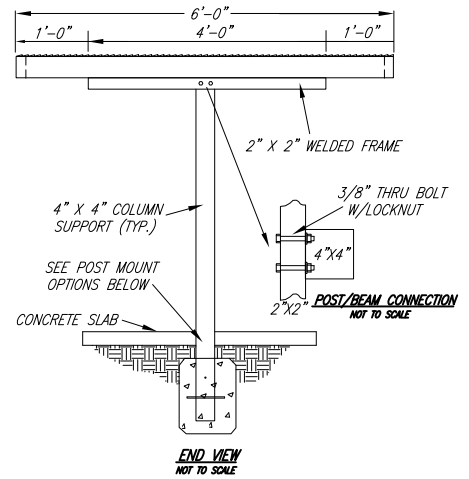
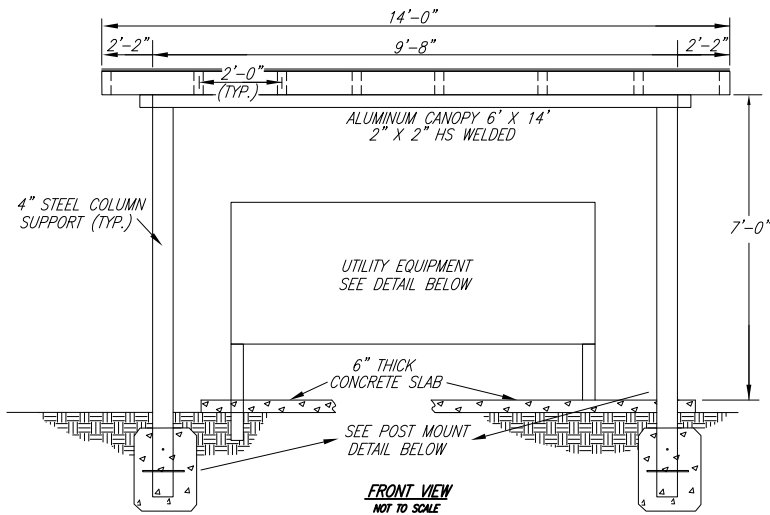
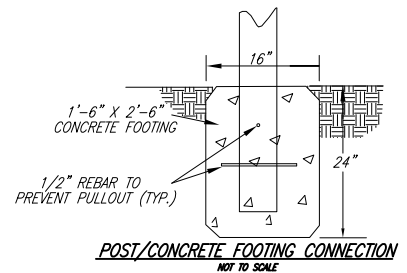
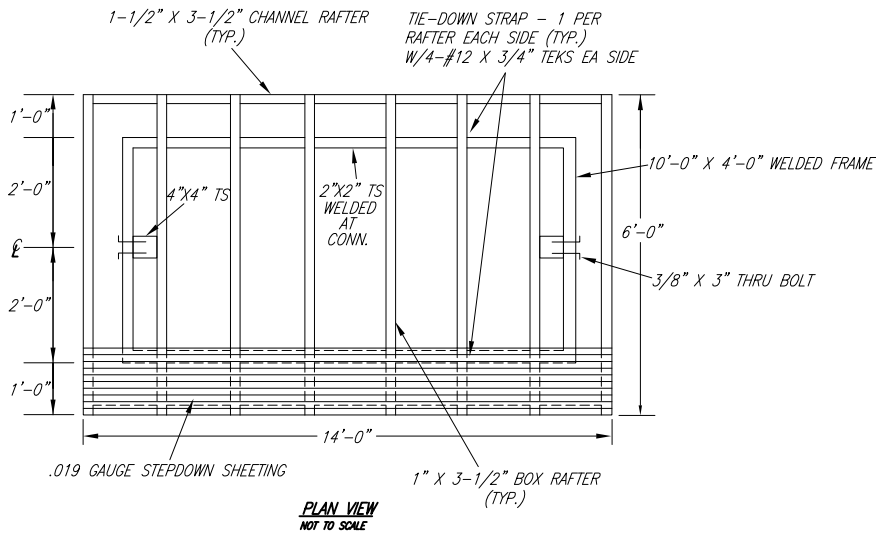


CONSTRUCTION DETAIL NO. 27b



NEW CANOPY
 6'-0" X 14'-0"

2" X 2" WELDED STEEL
 SUB-STRUCTURE FRAME
 TO BE SIZED ACCORDINGLY



ARC FLASH CANOPY DETAIL NOT TO SCALE

(AS SUPPLIED BY CAROLINA AWNING, INC - (864-862-2020) OR EQUAL)



DUPLEX PUMP STATION
 ELECTRICAL PANEL, RACK,
 AND AWNING DETAIL

SCALE: NONE REVISION DATE: 6/28/2022