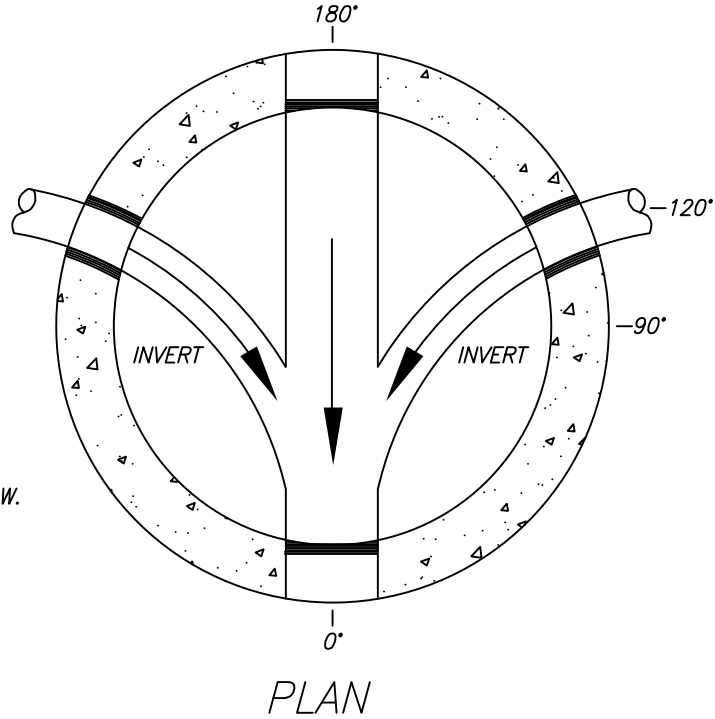


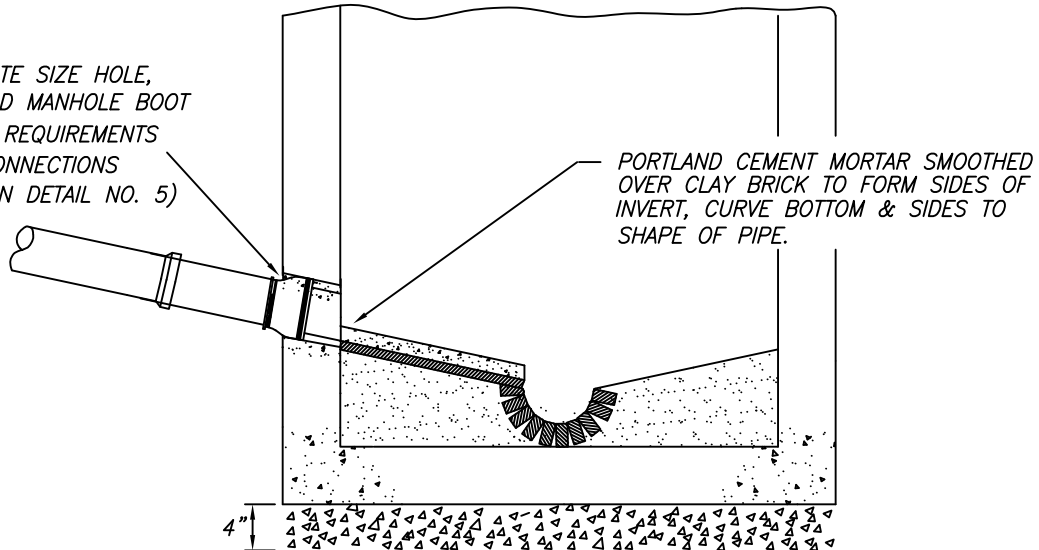
CONSTRUCTION DETAIL NO. 16



NOTE:

SERVICE LINE MUST ENTER MANHOLE AT ANGLE NO LESS THAN 120° DIRECTION OF FLOW.

CORE APPROPRIATE SIZE HOLE, INSTALL STANDARD MANHOLE BOOT AND FINISH PER REQUIREMENTS FOR MAINLINE CONNECTIONS (SEE CONSTRUCTION DETAIL NO. 5)



PORTLAND CEMENT MORTAR SMOOTHED OVER CLAY BRICK TO FORM SIDES OF INVERT, CURVE BOTTOM & SIDES TO SHAPE OF PIPE.

IF SLOPE OF TABLE IS LESS THAN 2 1/2" PER FT., THEN THE INVERT OF THE SERVICE LINE SHALL ENTER MANHOLE 6" ABOVE TABLE AND A SERVICE INVERT SHALL BE FORMED ON THE TABLE. OTHERWISE, THE SERVICE SHALL ENTER AT TOP OF TABLE.

SECTION



SERVICE LINE TAP TO MANHOLE

(FOR SERVICE LINES 6" OR SMALLER)

SCALE: NONE

REVISION DATE: OCT. 8, 2021