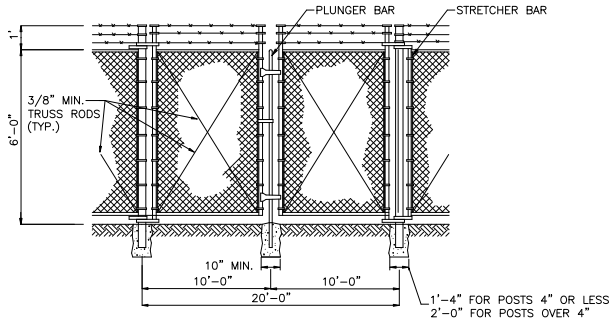
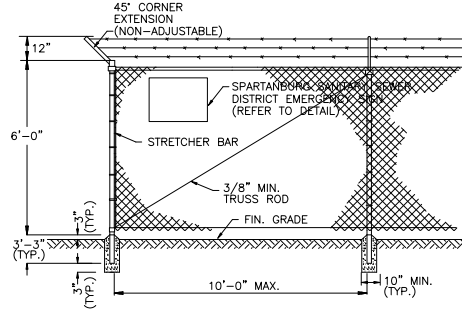


CONSTRUCTION DETAIL NO. 26



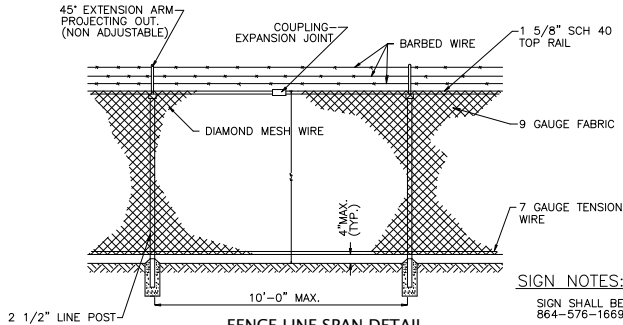
DOUBLE SWING DRIVE GATE DETAIL

N.T.S.



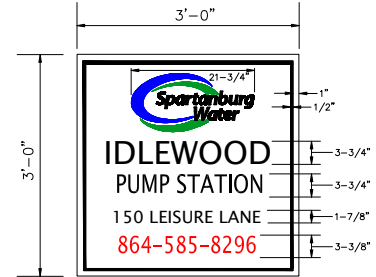
TYPICAL FENCE CORNER DETAIL

N.T.S.



FENCE LINE SPAN DETAIL

N.T.S.



EMERGENCY SIGN DETAIL

N.T.S.

SIGN NOTES:

SIGN SHALL BE BY BOGAN SIGN CO., SPARTANBURG, S.C., 864-576-1669, OR APPROVED EQUAL.

1. COLOR LOGO SHALL BE USED AS SHOWN ABOVE
2. TELEPHONE NUMBER TO BE WEATHER RESISTANT RED PAINT ON WHITE BACKGROUND.
3. ALL OTHER LETTERS AND BORDER TO BE WEATHER RESISTANT BLACK PAINT ON WHITE BACKGROUND.
4. MATERIAL FOR PLATE TO BE ALUMINUM.
5. PLATE TO BE MOUNTED USING S.S. HARDWARE.
6. PROVIDE ONE (1) SIGN PER PUMP STATION DEPICTING CORRECT PUMP STATION NAME, STREET ADDRESS, AND TELEPHONE NUMBER WHICH SHALL BE SPECIFIED BY SPARTANBURG SANITARY SEWER DISTRICT.



TYPICAL
PUMP STATION
FENCING & SIGN

SCALE: NONE REVISION DATE: JUNE 11, 2010