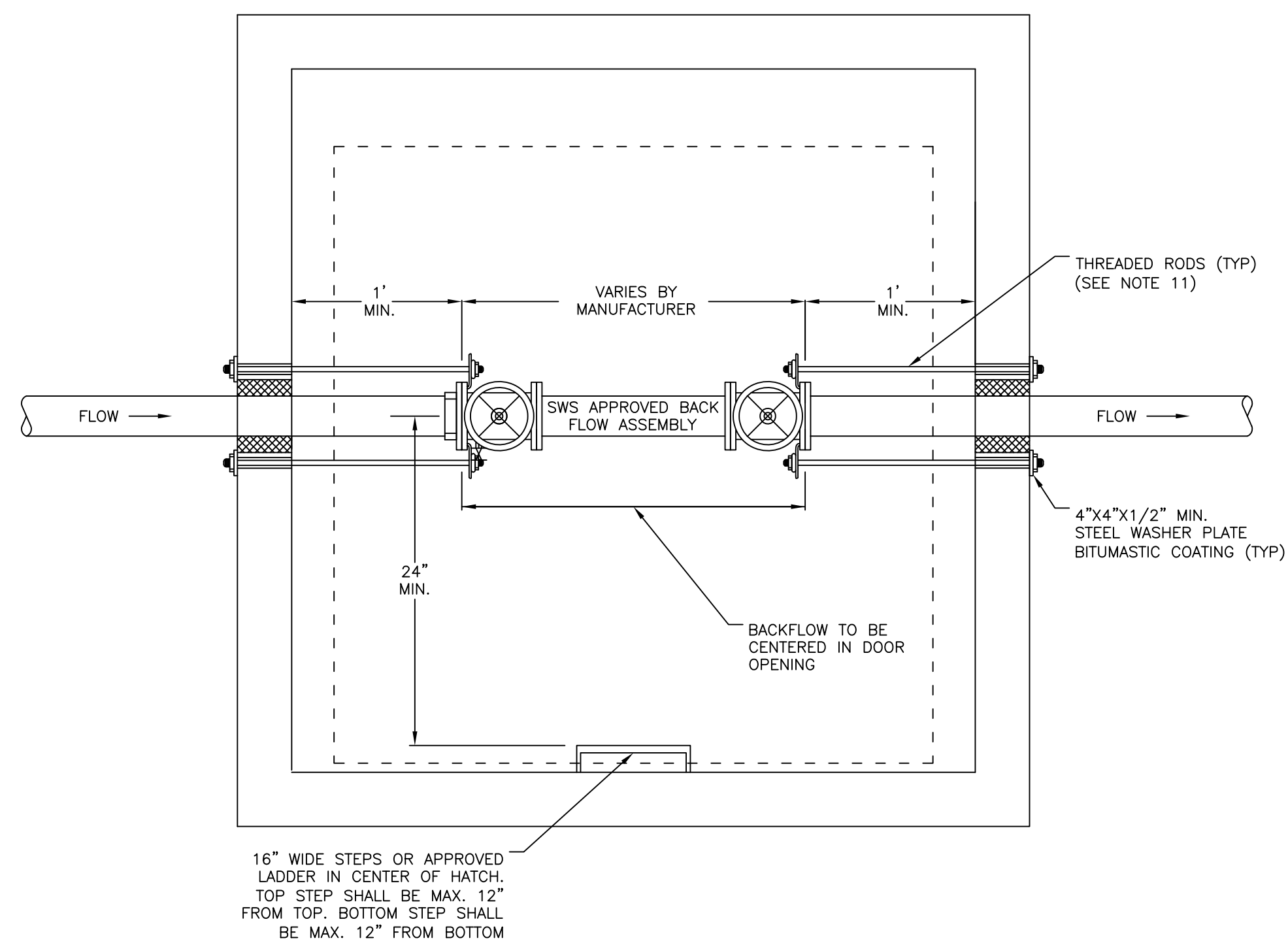


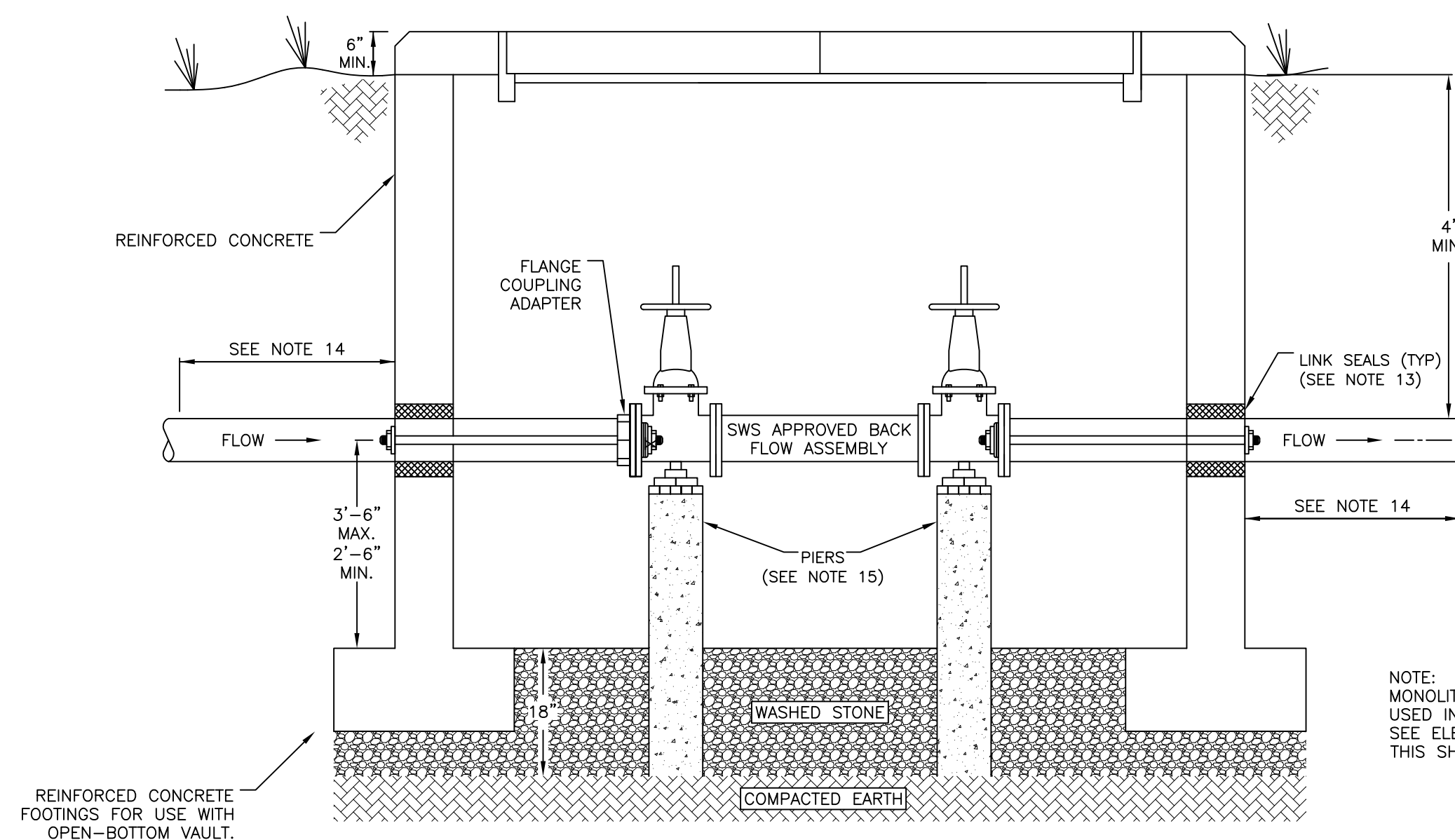
TOP SLAB  
NTS



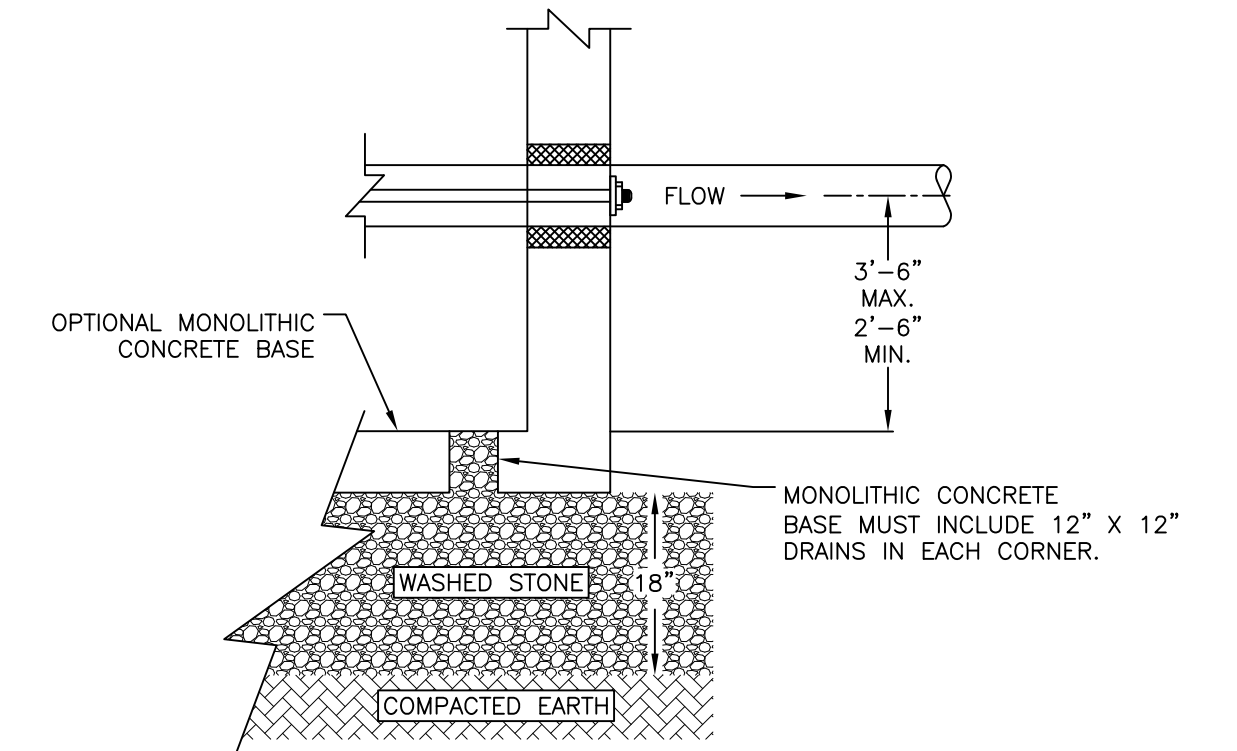
PLAN  
NTS

GENERAL NOTES

1. PIT SHALL BE IN A NON-TRAFFIC AREA.
2. PIT TO BE OUTSIDE THE ROAD RIGHT-OF-WAY, COMPLETELY ON THE CUSTOMER'S PROPERTY. MAXIMUM DISTANCE FROM PROPERTY LINE IS 10'. OWNER/CONTRACTOR IS RESPONSIBLE FOR ESTABLISHING LOCATION OF RIGHT-OF-WAY.
3. PIT OWNERSHIP/MAINTENANCE IS THE RESPONSIBILITY OF THE CUSTOMER/PROPERTY OWNER.
4. IF PIT IS TO BE LOCATED IN A SLOPED AREA, IT SHALL BE DESIGNED TO MAINTAIN MINIMUM 4' OF COVER ON INLET PIPES. SLOPING GRADES AROUND THE PIT SHALL BE GRADED IN A MANNER TO PREVENT WATER AND DIRT FROM COVERING THE TOP OF THE PIT. LANDSCAPING AND STRUCTURES ON TOP OF PIT ARE PROHIBITED.
5. PIT SHALL NOT BE LOCATED IN AN AREA SUBJECT TO SURFACE WATER RUN-OFF, STORM DRAIN COLLECTION AND DISCHARGE, OR AREAS PRONE TO CONSTANT WATER INFILTRATION. CONTRACTOR SHALL PROVIDE NON-MECHANICAL MEANS OF WATER CONTROL IF POSSIBLE AND NECESSARY.
6. ALL PITS SHALL BE LOCATED TO ALLOW SWS PERSONNEL TO ENTER AND PERFORM ANY WORK NECESSARY.
7. ALL STRUCTURAL DESIGN SHALL BE COMPLETED BY OTHERS.
8. SERVICE WILL NOT BE TURNED ON UNTIL THE PIT IS ACCEPTED BY THE SWS ENGINEERING DEPARTMENT AND CROSS CONNECTION CONTROL DEPARTMENT.
9. ALL VALVES AND FITTINGS INSIDE VAULT SHALL BE FLANGED DUCTILE IRON. ALL VALVES AND FITTINGS OUTSIDE VAULT SHALL BE MECHANICAL JOINT (MJ) DUCTILE IRON. PIPE SHALL BE DUCTILE IRON. ALL PIPING AND FITTINGS SHALL BE MANUFACTURED WITHIN THE CONTINENTAL U.S. AND SHALL CONFORM TO SWS SPECIFICATIONS.
10. BACKFLOW ASSEMBLY SHALL BE ON SWS APPROVED LIST AND ALL DETECTOR CHECK METERS SHALL REGISTER IN GALLONS AND LOCATED ON OPPOSITE SIDE OF VAULT FROM STEPS.
11. ALL RODS SHALL BE MINIMUM 3/4" THREADED, ZINC COATED, AND HIGH TENSILE STRENGTH OF 60,000 PSI. RODS ARE TO BE STRAIGHT CONNECTED TO WALL WASHER PLATE ON EACH OUTSIDE WALL AND FIRST FLANGE INSIDE PIT. ROD CONNECTIONS INSIDE THE PIT SHALL BE INSTALLED WITH EYE BOLTS AT THE FLANGE OR OTHER ACCEPTABLE MEANS.
12. CONSTRUCTION SHALL BE COMPLETED IN ACCORDANCE WITH SWS STANDARD SPECIFICATIONS APPLICABLE AT THE TIME OF CONSTRUCTION.
13. SEAL ALL VAULT PENETRATIONS WITH LINK SEAL OR APPROVED ALTERNATE.
14. NO FITTINGS SHALL BE WITHIN 2' OF VAULT.
15. SUPPORT PIERS SHALL BE INSTALLED AS SHOWN AND EXTEND TO UNDISTURBED GROUND. PIERS SHALL BE CONCRETE OR BRICK & MORTAR AND PROVIDE ADEQUATE SUPPORT TO VALVE. ADEQUATE CLEARANCE MUST BE MAINTAINED FOR ASSEMBLY / DISASSEMBLY OF VALVES.



ELEVATION  
NTS



ELEVATION  
ALTERNATE BASE  
NTS

NOTE:  
MONOLITHIC CONCRETE BASE MAY BE  
USED IN LIEU OF OPEN BOTTOM VAULT.  
SEE ELEVATION ALTERNATE BASE DETAIL  
THIS SHEET